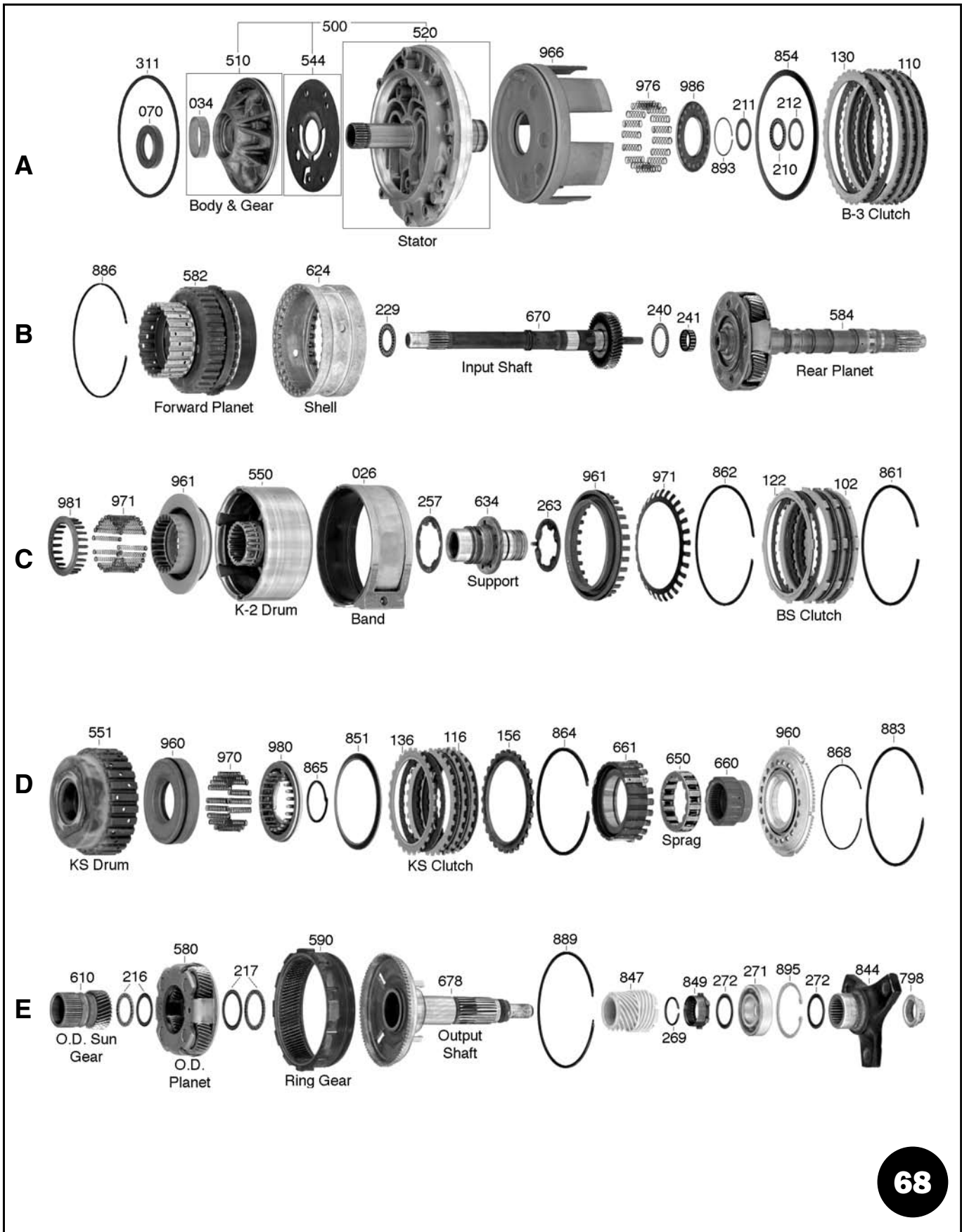
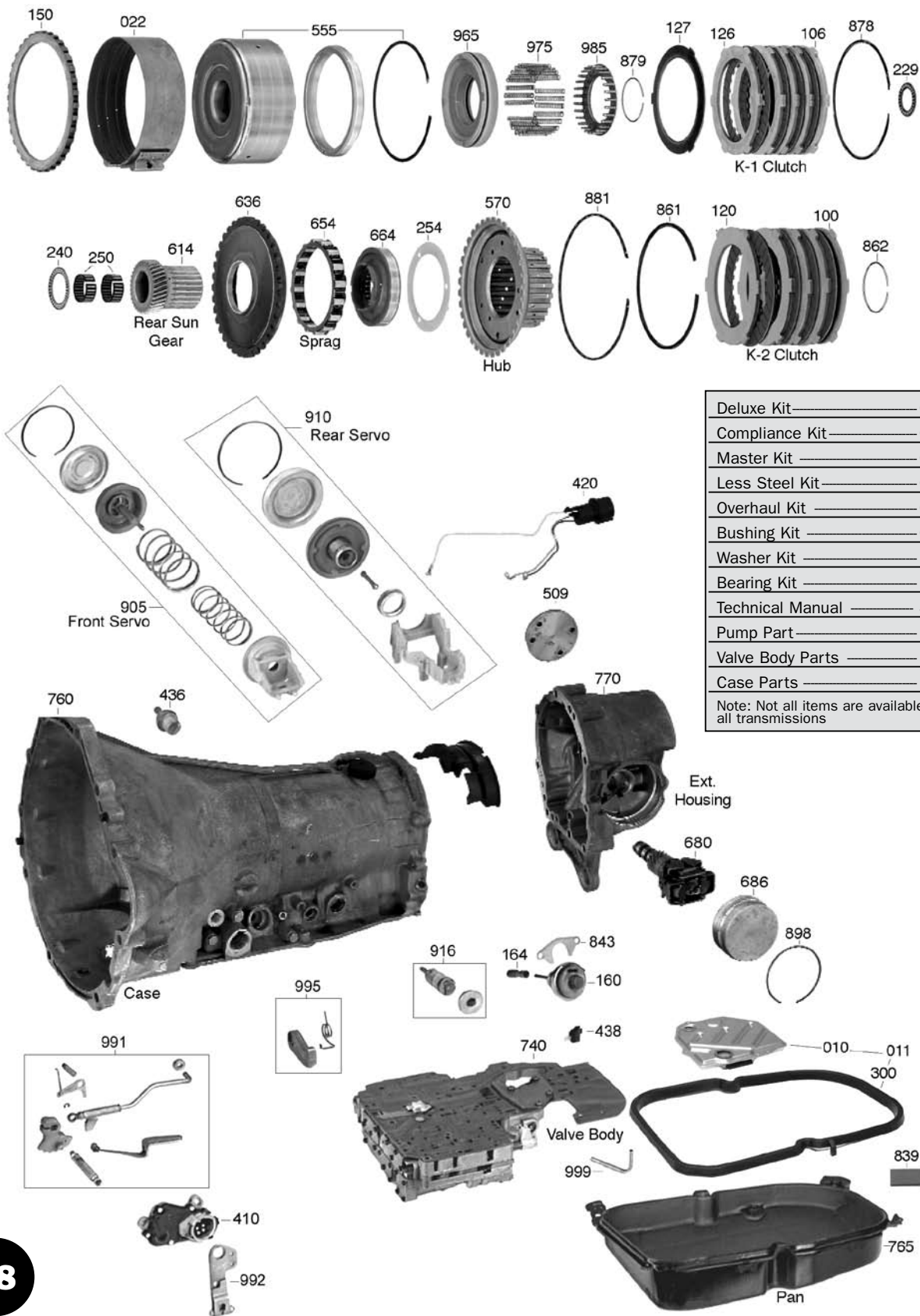


722.0, 722.1, 722.2 (4 Bolt Pan)
722.3, 722.4 (4 Speed)
722.5 (5 Speed)



**(4 Bolt Pan) 722.0, 722.1, 722.2
(4 Speed) 722.3, 722.4
(5 Speed) 722.5**



Deluxe Kit	008
Compliance Kit	007
Master Kit	006
Less Steel Kit	004
Overhaul Kit	002
Bushing Kit	030
Washer Kit	200
Bearing Kit	201
Technical Manual	400
Pump Part	507
Valve Body Parts	741
Case Parts	761

Note: Not all items are available for all transmissions

722.0, 722.1, 722.2 (4 Bolt Pan)
722.3, 722.4 (4 Speed)
722.5 (5 Speed)



58010



58010A



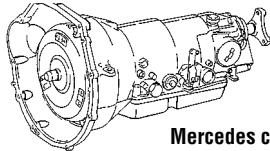
58010B



68010A



68010C



Mercedes case



58300



68300A



68300B

ILL.	DESCRIPTION	QTY.	YEAR	PART NO.	REFERENCE NO.
MASTER OVERHAUL KITS (WITH)					
006H	722.0, 722.1, 722.2.....	1	70-82	58006	K5500
006H	722.3 (380 Series) (W4A040).....	1	81-95	68006B	K5500D/G
006H	722.4 (190 Series) (W4A020).....	1	84-95	68006A	K5500E
LESS STEEL KITS					
004H	722.0, 722.1, 722.2.....	1	70-82	58004	K5500-LS
004H	722.3 (380 Series) (W4A040).....	1	81-95	68004B	K5500D/G-LS
004H	722.4 (190 Series) (W4A020).....	1	84-95	68004A	K5500E-LS
004H	722.5.....	1	90-95	68004C	K5500F-LS
OVERHAUL KITS (W/ RINGS & SEALS)					
002H	722.0, 722.1, 722.2.....	1	70-82	58002	K55900
002H	722.3 (380 Series) (W4A040).....	1	81-95	68002B	K55900D/G
002H	722.4 (190 Series) (W4A020).....	1	84-95	68002A	K55900E
002H	722.5.....	1	90-95	68002C	K55900F
FILTER KITS					
011K	722.0, 722.1, 722.2 (w/o Tube).....	1	70-77	58011	FK55800A
011K	722.0, 722.1, 722.2 (w/ 3/4" Long Tube).....	1	70-82	58011B	FK55800C
011K	722.0, 722.1, 722.2 (w/ 1" Long Tube).....	1	70-82	58011A	FK55800B
011K	722.3.....	1	81-95	68011B	FK55800D
011K	722.4.....	1	84-95	68011A	FK55800E
011K	722.5.....	1	90-95	68011C	FK55800F
FILTERS					
010K	722.0, 722.1, 722.2 (w/o Tube).....	1	70-77	58010	55800A
010K	722.0, 722.1, 722.2 (w/ 3/4" Long Tube).....	1	70-82	58010B	55800C
010K	722.0, 722.1, 722.2 (w/ 1" Long Tube).....	1	70-82	58010A	55800B
010K	722.3, 722.4.....	1	81-95	68010A	55800D
010K	722.5 (w/Baffle).....	1	90-95	68010C	55800F
BANDS (See Tech Note Following this section)					
Prefix Key: B = Borg Warner, A = OEM (Exc. BW), N = All Other New, R = Relined					
722.0, 722.1, 722.2					
022F	Center 1.5" (Oval Holes) (.110" Thick Incl Lining) (.15" Strut Flats).....	1	70-82	58022F	N/A
022F	Center 1.5" (Oval Holes) (.130" Thick Incl Lining) (.15" Strut Flats).....	1	70-82	58026B	N/A
022F	Center 1.5" (Round Holes) (.110" Thick Incl Lining) (.40" Strut Flats) Stamped 18.....	1	70-82	58022C	N/A
022F	Center 1.5" (Round Holes) (.130" Thick Incl Lining) (.40" Strut Flats) Stamped 14.....	1	70-82	58026C	N/A
022F	Center 1.5" (Round Holes) (.130" Thick Incl Lining) (.40" Strut Flats) Stamped 16.....	1	70-82	58026	N/A
022F	Center 2.0" (Round Holes) (.110" Thick Incl Lining) (.40" Strut Flats) Stamped 16.....	1	70-82	58022D	N/A
022F	Center 2.0" (Round Holes) (.130" Thick Incl Lining) (.40" Strut Flats) Stamped 16.....	1	70-82	58026R	N/A

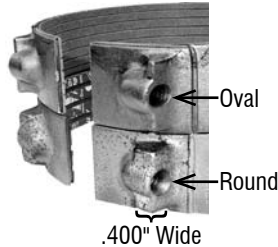
(4 Bolt Pan) 722.0, 722.1, 722.2
(4 Speed) 722.3, 722.4
(5 Speed) 722.5

ILL.	DESCRIPTION	QTY.	YEAR	PART NO.	REFERENCE NO.
722.0, 722.1, 722.2 (Cont.)					
024	Front 1.5" (Oval Holes) (.170" Thick Incl Lining) (.15" Strut Flats)	1	70-82	58024A	N/A
024	Front 1.5" (Round Holes) (.170" Thick Incl Lining) (.40" Strut Flats) Stamp 12/15	1	70-82	58024	N/A
026C	Rear 1.5" (Oval Holes) (.130" Thick Incl Lining) (.15" Strut Flats)	1	70-82	58026B	N/A
026C	Rear 1.5" (Round Holes) (.130" Thick Incl Lining) (.40" Strut Flats) Stamped 14	1	70-82	58026C	N/A
026C	Rear 1.5" (Round Holes) (.130" Thick Incl Lining) (.40" Strut Flats) Stamped 16	1	70-82	58026	N/A
026C	Rear 2.0" (Round Holes) (.130" Thick Incl Lining)	1	70-82	58026R	N/A
026C	Rear 2.0" (Round Hole & Fingers) (Split Band)	1	70-82	58026D	N/A
026C	Rear 2.0" (Oval Hole & Fingers) (Split Band)	1	70-82	58026DA	N/A
026C	Rear 2.0" (Round Holes Both Sides) (Split Band)	1	70-82	58026DB	N/A
722.3, 722.4, 722.5					
022F	Front Semi Flex (722.3, 722.5)	1	81-95	68022B	55700
022F	Front Semi Flex (722.4)	1	84-95	68022A	55700A
026C	Rear (Split) (722.3, 722.5)	1	81-95	68026B	55701
026C	Rear (Split) (722.4)	1	84-95	68026A	55701A
BUSHINGS					
034A	Pump Body (722.0, 722.1, 722.2) (1 1/16" OD Hub) (w/ Fluid Coupler)	1	70-82	58034	55004
034A	Pump Body (722.0, 722.1, 722.2) (1 5/8" OD Hub) (w/ Torque Converter)	1	70-82	58034B	55005
034A	Pump Body (722.3, 722.4, 722.5)	1	81-95	68034B	55005A
METAL CLAD SEALS					
070A	Front (Fluid Coupling Type) (722.2)	1	70-82	58070	55200
070A	Front (Torque Converter Type) (722.0, 722.1)	1	70-82	58070A	55200A
070A	Front (722.3, 722.5)	1	81-95	68070B	55200B
070A	Front (722.4)	1	84-95	68070A	55200C
072	Shift Lever Shaft (722.3, 722.4, 722.5)	1	81-95	68072B	55202A
074	Rear (722.0, 722.1, 722.2)	1	70-82	58074	55201A
074	Rear (722.3, 722.4, 722.5)	1	81-95	68074A	55201B
078	Speedo Gear (722.3, 722.4, 722.5)	1	81-95	68078	55203A
FRICITION PLATES					
110A	B3 (Reverse) (.082") (36 T) (722.3, 722.5)	4	81-95	68110B	55104
110A	B3 (Reverse) .082") (30 T) (722.4)	3-4	83-95	68110A	55107
102C	BS (Overdrive) (.084") (28 T) (722.5)	4	91-95	68102C	55109
106F	K1 (Front) (.083") (51 T) (722.0, 722.1, 722.2)	4	70-82	58104	55100
106F	K1 (Front) (.084") (24 T) (722.3, 722.5)	4-5	81-95	68106B	55103
106F	K1 (Front) (.084") (40 T) (722.4)	3-5	83-95	68106A	55105
100G	K2 (Rear) (.083") (51 T) (722.0, 722.1, 722.2)	4	70-82	58104	55100
100G	K2 (Rear) (.084") (24 T) (722.3, 722.5)	4-5	81-95	68100B	55102
100G	K2 (Rear) (.084") (36 T) (722.4)	3-5	83-95	68100A	55106
116D	KS (Overrun) (.084") (22 T) (722.5)	4	91-95	68116C	55108
STEEL PLATES					
130A	B3 (Reverse) (2.3mm) (722.3, 722.5)	AR	81-95	68130B	55110L
130A	B3 (Reverse) (2.8mm) (722.3, 722.5)	AR	81-95	68130BA	55110M
130A	B3 (Reverse) (2.5mm) (722.4)	AR	84-95	68130	55111K
130A	B3 (Reverse) (3.0mm) (722.4)	AR	84-95	68130A	55111L
130A	B3 (Reverse) (3.5mm) (722.4)	AR	84-95	68130AA	55111M
122C	BS (Overdrive) (2.5mm) (722.5)	3-4	90-95	68122C	55112B
126F	K1 (Front) (2.0mm) (722.0, 722.1, 722.2)	AR	70-82	58124	55101
126F	K1 (Front) (2.0mm) (722.3, 722.5)	AR	81-95	68120B	55110
126F	K1 (Front) (3.5mm) (722.3, 722.5)	AR	81-95	68120BA	55110A
126F	K1 (Front) (4.5mm) (722.3, 722.5)	AR	81-95	68120BC	55110C
126F	K1 (Front) (5.0mm) (722.3, 722.5)	AR	81-95	68120BD	N/A
126F	K1 (Front) (2.0mm) (722.4)	AR	84-95	68120AA	55111

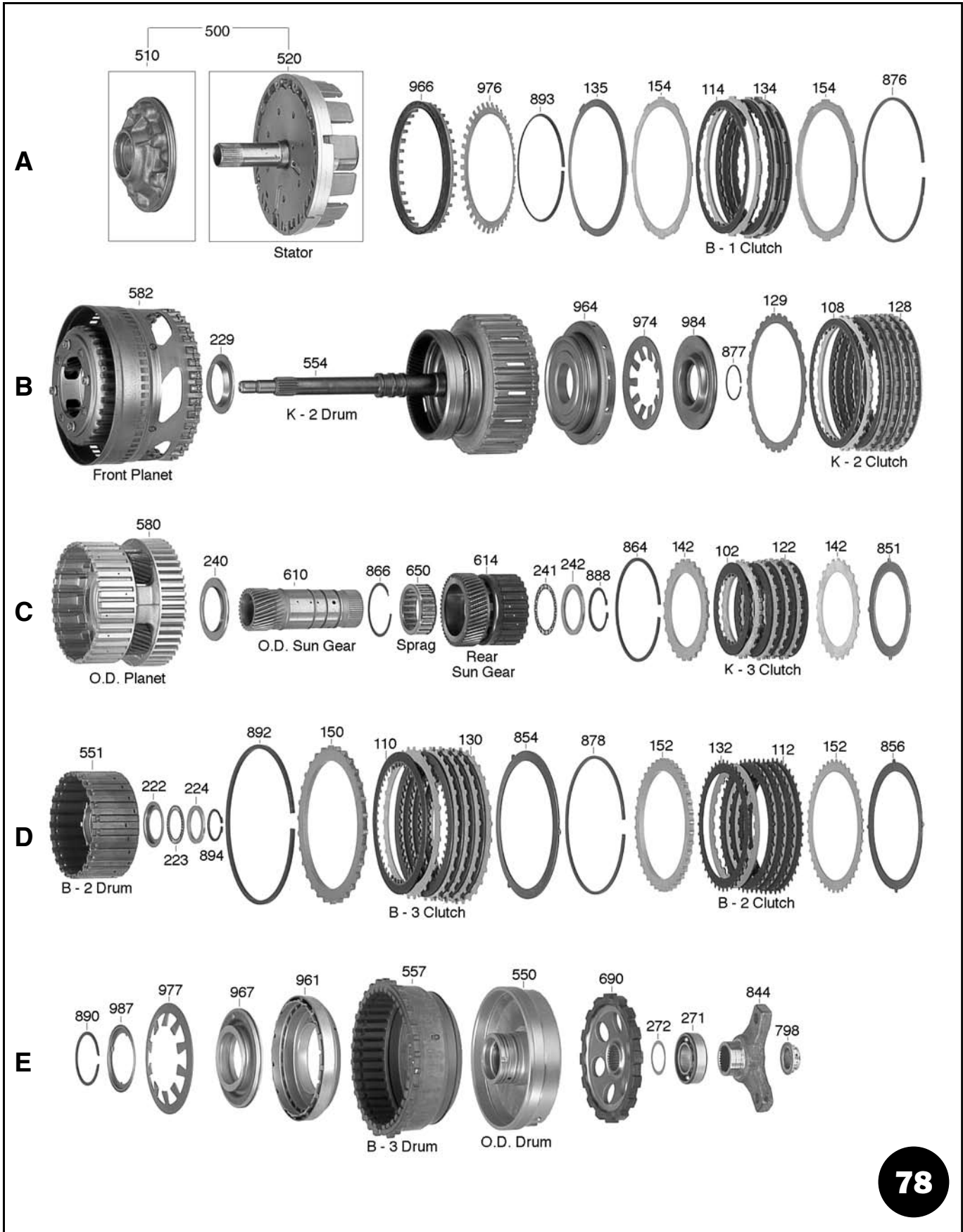
722.0 - 722.5

722.0, 722.1, 722.2 (4 Bolt Pan)
722.3, 722.4 (4 Speed)
722.5 (5 Speed)

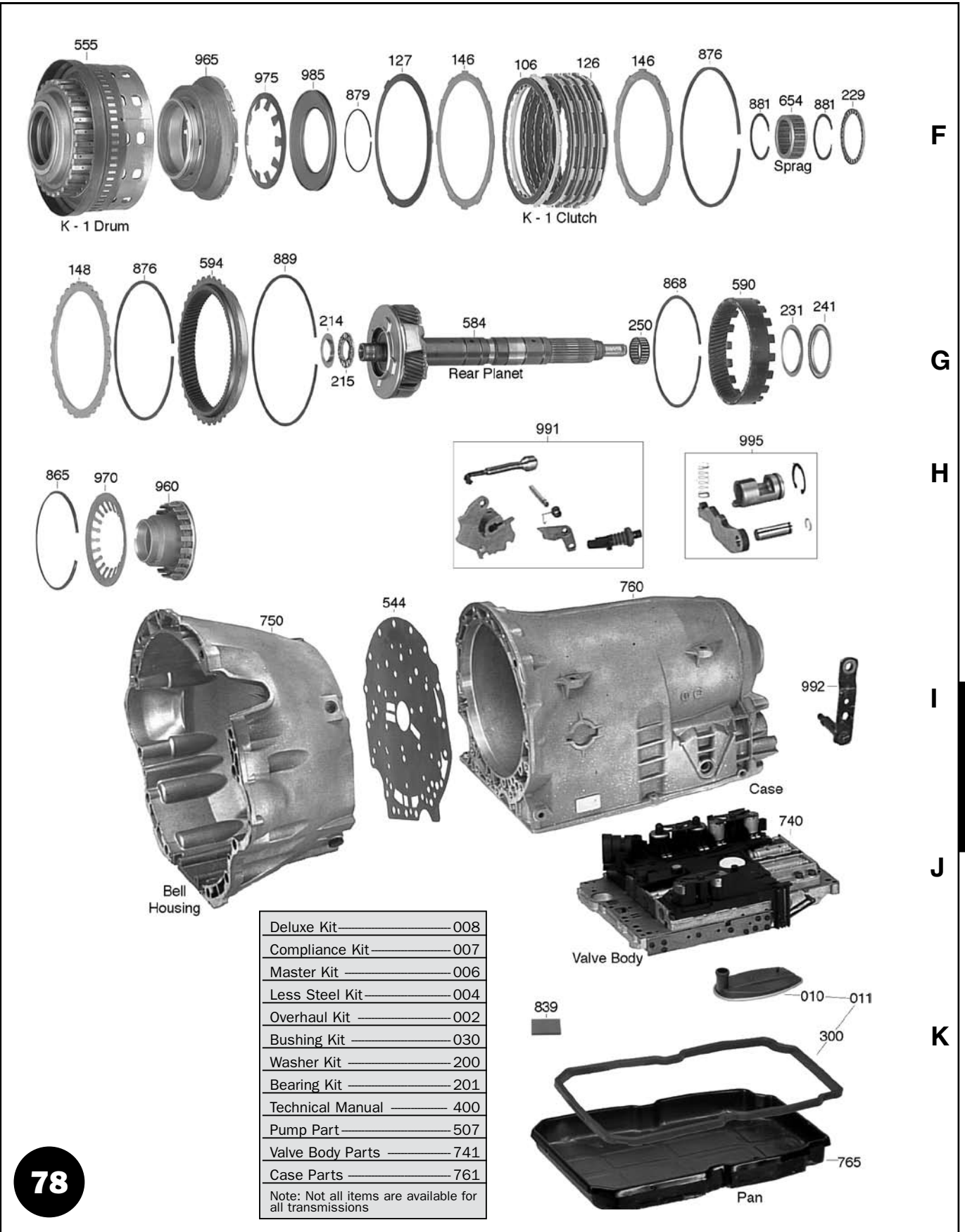
ILL.	DESCRIPTION	QTY.	YEAR	PART NO.	REFERENCE NO.
STEEL PLATES (Cont.)					
126F	K1 (Front) (3.0mm) (722.4)	AR	84-95	68120A	N/A
126F	K1 (Front) (3.5mm) (722.4)	AR	84-95	68120AB	55111B
126F	K1 (Front) (4.0mm) (722.4)	AR	84-95	68120AC	55111C
120G	K2 (Rear) (2.0mm) (722.0, 722.1, 722.2)	AR	70-82	58124	55101
126G	K2 (Rear) (2.0mm) (722.3, 722.5)	AR	81-95	68126B	55110F
120G	K2 (Rear) (3.5mm) (722.3, 722.5)	AR	81-95	68126BB	55110H
120G	K2 (Rear) (5.0mm) (722.3, 722.5)	AR	81-95	68126BE	55110J
120G	K2 (Rear) (2.0mm) (722.4)	AR	84-95	68126AB	55111E
120G	K2 (Rear) (3.5mm) (722.4)	AR	84-95	68126A	55111G
120G	K2 (Rear) (4.0mm) (722.4)	AR	84-95	68126AC	55111H
136D	KS (Overrun) (2.0mm) (722.5)	4	91-95	68136C	55112
MODULATORS					
160J	Metal Top, Green (722.0, 722.1, 722.2) (Screw In)	1	70-82	58160D	55820
160J	Plastic Top, Red (722.0, 722.1, 722.2) (Screw In)	1	70-82	58160E	55820B
160J	Plastic Top, White (722.0, 722.1, 722.2) (Screw In)	1	70-82	58160W	55820A
160J	Black Top (722.3, 722.4, 722.5) (Push In)	1	81-95	68160AE	55820F
160J	Black Top Kit w/ 3rd Design Plunger (722.3, 722.4, 722.5) (Push In)	1	81-95	68160AEK	55820M
160J	Brown Top (722.3, 722.4, 722.5) (Push In)	1	81-95	68160AD	55820G
160J	Brown Top Kit w/ 3rd Design Plunger (722.3, 722.4, 722.5) (Push In)	1	81-95	68160ADK	55820N
160J	Green Top (722.3, 722.4, 722.5) (Push In)	1	81-95	68160AC	55820C
160J	Green Top Kit w/ 3rd Design Plunger (722.3, 722.4, 722.5) (Push In)	1	81-95	68160ACK	55820J
160J	Red Top (722.3, 722.4, 722.5) (Push In)	1	81-95	68160AB	55820E
160J	Red Top Kit w/ 3rd Design Plunger (722.3, 722.4, 722.5) (Push In)	1	81-95	68160ABK	55820L
160J	White Top (722.3, 722.4, 722.5) (Push In)	1	81-95	68160A	55820D
160J	White Top Kit w/ 3rd Design Plunger (722.3, 722.4, 722.5) (Push In)	1	81-95	68160AK	55820K
164J	Plunger, Under Modulator Valve (2nd Design)	1	81-95	68164A	55973
164J	Plunger, Under Modulator Valve (3rd Design)	1	93-95	68164B	55973A
VALVE BODY RECALIBRATION KITS					
165H	Valve Body Kit (Diesel) (722.3, 722.4) (Superior)	1	81-90	S68165D	55C02
165H	Valve Body Kit (Gas) (722.3, 722.4) (Superior)	1	81-90	S68165G	55C01
SEALING RINGS					
175H	Ring Kit (722.3)	1	81-95	68175B	K55901D
175H	Ring Kit (722.4)	1	84-95	68175A	K55901E
175H	Ring Kit, Accumulator Rings Only (722.3, 722.4)	1	81-95	68175BA	K55301DT
THRUST WASHER KITS					
N.I.	Front Planet (722.3) (Incl 4 Rivets)	1	81-95	QWK5100	QWK5100
N.I.	Rear Planet (722.3) (Incl 4 Rivets) (Large Pinion)	1	81-95	QWK5111	QWK5111
N.I.	Rear Planet (722.3) (Incl 4 Rivets) (Double Gear)	1	81-95	QWK5112	QWK5112
N.I.	Front Planet (722.4) (Incl 4 Rivets)	1	81-95	QWK5200	QWK5200
N.I.	Rear Planet (722.4) (Incl 4 Rivets)	1	81-84	QWK5212	QWK5212
N.I.	Rear Planet (722.4) (Incl 4 Rivets)	1	84-95	QWK5211	QWK5211
GASKETS & O-RINGS					
300K	Gasket, Bottom Pan (722.0, 722.1, 722.2)	1	70-82	58300	13840R
300K	Gasket, Bottom Pan (722.3, 722.5)	1	81-95	68300B	13841R
300K	Gasket, Bottom Pan (722.4)	1	84-95	68300A	13842R
310A	Gasket, Pump (722.3)	1	81-95	68310B	N/A
320	Gasket, Valve Body (722.3) (126-277-14-80)	1	81-95	68320B	13842A
320	Gasket, Valve Body (722.3) (126-277-10-80)	1	82-95	68320BA	13842B
320	Gasket, Valve Body (722.4) (201-277-02-80) 190 Series - 400/403 Early	1	84-85	68320A	13842E
320	Gasket, Valve Body (722.4) (201-277-00-80) 190 Series	1	84-95	68320AA	13842F
320	Gasket, Valve Body (722.4) (124-277-04-80) 190 Series	1	87-95	68320AB	13842G

ILL.	DESCRIPTION	QTY.	YEAR	PART NO.	REFERENCE NO.
TECHNICAL MANUALS					
400K	Tech Manual (722.0, 722.1, 722.2)	1	70-82	58400	55Y01
400K	Tech Manual (722.3, 722.4)	1	81-95	68400A	55Y02
400K	Tech Manual (722.5)	1	90-95	68400C	55Y03
HARD PARTS					
Prefix Key: D = OEM, A = Aftermarket New, R = Remanufactured					
STATOR SHAFTS					
529	722.0, 722.1, 722.2 (4.026" Long)	1	70-82	58529A	55969C
529	722.0, 722.1, 722.2 (4.150" Long)	1	70-82	58529	55969P
529	722.0, 722.1, 722.2 (4.597" Long)	1	70-82	58529B	55969L
529	722.4	1	84-95	68529A	55969E
DRUMS & CLUTCH HUBS					
550C	(K-2) (Stamped Steel) (Uses Washer # 257) (722.3)	1	81-95	68550B	N/A
550C	(K-2) (Cast) (Uses Washer # 257) (722.3)	1	81-95	68550BB	N/A
555F	(K-1) Direct Clutch w/ 34 T Sun Gear (722.3)	1	81-95	68555B	N/A
550C	Clutch Drum Repair Kit (4th Clutch) (K-2) (722.3)	1	81-95	68550BRK	K55900D-4
550C	Clutch Drum Repair Kit (4th Clutch) (K-2) (722.4)	1	84-95	68550ARK	K55900E-4
PLANETS					
580E	Planet, Overdrive (4 Gear) (722.3)	1	81-95	68580	N/A
GOVERNORS					
680J	Governor (722.3)	1	81-95	68680B	N/A
680J	Governor (722.4)	1	84-95	68680A	N/A
<p align="center">IMPORTANT NOTES</p> <p>4 Bolt and 6 Bolt also fits certain models of Porsche. 70-83, 4 Bolt Mercedes can also be identified by vacuum modulator mounted on right rear of extension housing. On the 81-Up, 6 Bolt, modulator is on the left side near the manual control levers.</p>				<p align="center">TECHNICAL INFORMATION</p> <p>TO ID: Determine if the holes are ROUND or OVAL, the strut flats are .150" or .400" wide, and the thickness of the band (including the lining) is .110" or .130" thick.</p>	
NOTES					

722.0 - 722.5



5 SPEED



F

G

H

I

J

K

Deluxe Kit	008
Compliance Kit	007
Master Kit	006
Less Steel Kit	004
Overhaul Kit	002
Bushing Kit	030
Washer Kit	200
Bearing Kit	201
Technical Manual	400
Pump Part	507
Valve Body Parts	741
Case Parts	761

Note: Not all items are available for all transmissions

78

722.6

MERCEDES 722.6

5 SPEED

78010A



6 Bolt Pan
5 Spd., 6 Solenoid
78010A
722.6

78300A



ILL.	DESCRIPTION	QTY.	YEAR	PART NO.	REFERENCE NO.
MASTER OVERHAUL KITS (WITH STEELS) (1)					
006K	722.6 (Double Sided Frictions) (5.25" ID K2 Frictions)	1	96-01	78006	K5500J
006K	722.6 (Double Sided Frictions) (5.45" ID K2 Frictions)	1	96-01	78006A	K5500K
006K	722.6 (Double Sided Frictions)	1	02-Up	78006E	K5500L
006K	722.6 (Single Sided Frictions) (5.25" ID K2 Frictions)	1	02-Up	78006C	K5500M
006K	722.6 (Single Sided Frictions) (5.45" ID K2 Frictions)	1	02-Up	78006D	K5500N
LESS STEEL KITS (1)					
004K	722.6 (Double Sided Frictions) (5.25" ID K2 Frictions)	1	96-01	78004	K5500J-LS
004K	722.6 (Double Sided Frictions) (5.45" ID K2 Frictions)	1	96-01	78004A	K5500K-LS
004K	722.6 (Double Sided Frictions)	1	02-Up	78004E	K5500L-LS
004K	722.6 (Single Sided Frictions) (5.25" ID K2 Frictions)	1	02-Up	78004C	K5500M-LS
004K	722.6 (Single Sided Frictions) (5.45" ID K2 Frictions)	1	02-Up	78004D	K5500N-LS
(1) Kits Include Bonded Pistons					
OVERHAUL KITS (W/ RINGS & SEALS)					
002K	722.6 (w/o Bonded Pistons).....	1	96-Up	78002	K55900J
FILTER KITS					
011K	Filter Kit, 722.6	1	96-Up	78011A	FK55800J
FILTERS					
010K	Filter	1	96-Up	78010A	55800G
BUSHINGS					
030K	Bushing Kit (Drum & Output Shaft) (Upgraded).....	1	96-Up	78030B	K55006
034	Front Pump Body	1	96-Up	78034	55005D
037	Stator (Rear)	1	96-Up	78037	55003D
047	Input Shaft.....	1	96-Up	78047	55006D
METAL CLAD SEALS					
070	Front Pump	1	96-Up	68070B	55200B
074	Rear.....	1	96-Up	78074	55201D
FRICITION PLATES					
114A	B1 Clutch.....	2-4	96-Up	78114	55115
114A	B1 Clutch (One Sided Friction w/ Internal Teeth).....	2-4	02-Up	78114C	55115C
134A	B1 Clutch (One Sided Friction w/ External Teeth)	2-4	02-Up	78134C	55115D
112D	B2 Clutch (External Teeth)	4-5	96-Up	78112	55118
110D	B3 Clutch.....	3-5	96-Up	78110	55119
106F	K1 Clutch.....	3-6	96-Up	78114	55115
106F	K1 Clutch (One Sided Friction w/ Internal Teeth).....	3-6	02-Up	78114C	55115C
126F	K1 Clutch (One Sided Friction w/ External Teeth)	3-6	02-Up	78134C	55115D
108B	K2 Clutch (5.25" ID) (Measure Tip of Tooth to Tip of Tooth)	3-5	96-Up	78108	55116
108B	K2 Clutch (5.45" ID) (Measure Tip of Tooth to Tip of Tooth)	5-6	96-Up	78108A	55116A
102C	K3 Clutch (.063")	3-5	96-97	78102A	55117
102C	K3 Clutch (.085") (replaces .063" frictions if 78122A Steels are used also).....	5	96-Up	78102	55117A
102C	K3 Clutch (One Sided Friction w/ Internal Teeth).....	5	02-Up	78102B	55117C
122C	K3 Clutch (One Sided Friction w/ External Teeth)	5	02-Up	78122B	55117D

ILL.	DESCRIPTION	QTY.	YEAR	PART NO.	REFERENCE NO.
STEEL PLATES					
134A	B1 Clutch (.071")	1	96-Up	78134	55120
134A	B1 Clutch (.110")	3-5	96-Up	78134B	55120B
134A	B1 Clutch (.138")	2-3	96-Up	78134A	55120A
134A	B1 Clutch (.157")	1-2	96-Up	78134D	55120D
132D	B2 Clutch (Internal Teeth)	3-4	96-Up	78132	55123
130D	B3 Clutch	3-5	96-Up	78130	55124
126F	K1 Clutch (.071")	1	96-Up	78134	55120
126F	K1 Clutch (.110")	3-5	96-Up	78134B	55120B
126F	K1 Clutch (.138")	3-5	96-Up	78134A	55120A
126F	K1 Clutch (.157")	1-2	96-Up	78134D	55120D
128B	K2 Clutch (.071")	1	96-Up	78128	55121
128B	K2 Clutch (.110")	5	96-Up	78128B	55121B
128B	K2 Clutch (.138")	2-5	96-Up	78128A	55121A
122C	K3 Clutch (.071")	1	96-Up	78122	55122
122C	K3 Clutch (.110")	3-4	96-Up	78122A	55122B
122C	K3 Clutch (.138")	3-4	96-Up	78122C	55122A
GASKETS & O-RINGS					
300K	Bottom Pan (Molded Rubber)	1	96-Up	78300A	13843R
TECHNICAL MANUALS					
400K	Tech Manual & Video	1	96-Up	78400	55Y06
ELECTRICAL COMPONENTS					
420	Solenoid, Shift (2 O-Rings) (140-277-05-35 Marking)	3	96-Up	78421	5A-542
425	Solenoid, Lock-Up (TCC) / PWM (1 O-Ring) (140-277-04-35 Marking)	1	96-Up	78425	5A-540
431	Solenoid, Line & Shift Pressure (No O-Rings) (140-277-03-98 Marking)	2	96-Up	78431	5A-541
444	Solenoid Connector Plate (Black Plastic)	1	96-Up	78444	25A-540
444	Solenoid Connector Plate (Gray Plastic)	1	05-Up	78444A	25A-540C
444	Case Connector to Harness Sleeve	1	96-Up	78444B	25A-541
444	Case Connector to Connector Plate	1	96-Up	78444C	25A-541A
444	Harness Cap	1	96-Up	78444D	25A-541B
MISCELLANEOUS COMPONENTS					
211	Bearing, Input Shaft w/ Sealing Ring	1	96-Up	78211K	55006B
544I	Plate, Pump (Latex Coated)	1	96-Up	78544	55923B
654F	Sprag, Front (K1)	1	96-Up	78654	55960E
654F	Sprag, Rear (F2)	1	96-Up	78654A	55960F
740J	Valve Body (Premium) Cast 0006 (Jaguar)	1	98-Up	78740-1	P55990J
740J	Valve Body (Premium) Cast 0206	1	96-97	78740-2	P55990K
740J	Valve Body (Premium) Cast 0506	1	96-97	78740-3	P55990L
740J	Valve Body (Premium) Cast 0406	1	96-00	78740-4	P55990M
740	Valve Body (Premium) Cast 0606	1	00-Up	78740-5	P55990N
740	Valve Body (Premium) (NAG1 Chrysler Only)	1	03-Up	78740-6	P55990C
741	Spring, Pressure Regulator (Does not fit 00-Up)	1	96-99	78741P-3	55706
741	Kit, Overlap Control Sleeves	1	96-Up	78741DK	K55882
967	Bonded Piston, B1 Drum	1	96-Up	78967	55929