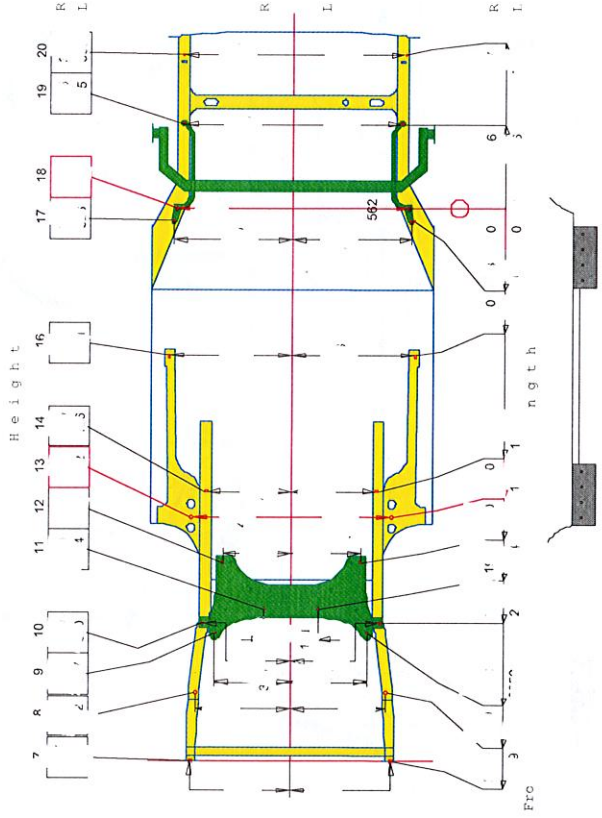
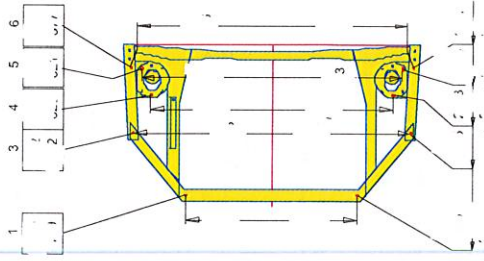


SPECIFICATION REPORT



Date: 18 de September de 2018 Time: 10:58

Customer.....
 Vehicle..... 2000-PEUGEOT-206-5DR W/PS
 VIN:,
 Work Order # ::
 Technician.....
 Odometer 0

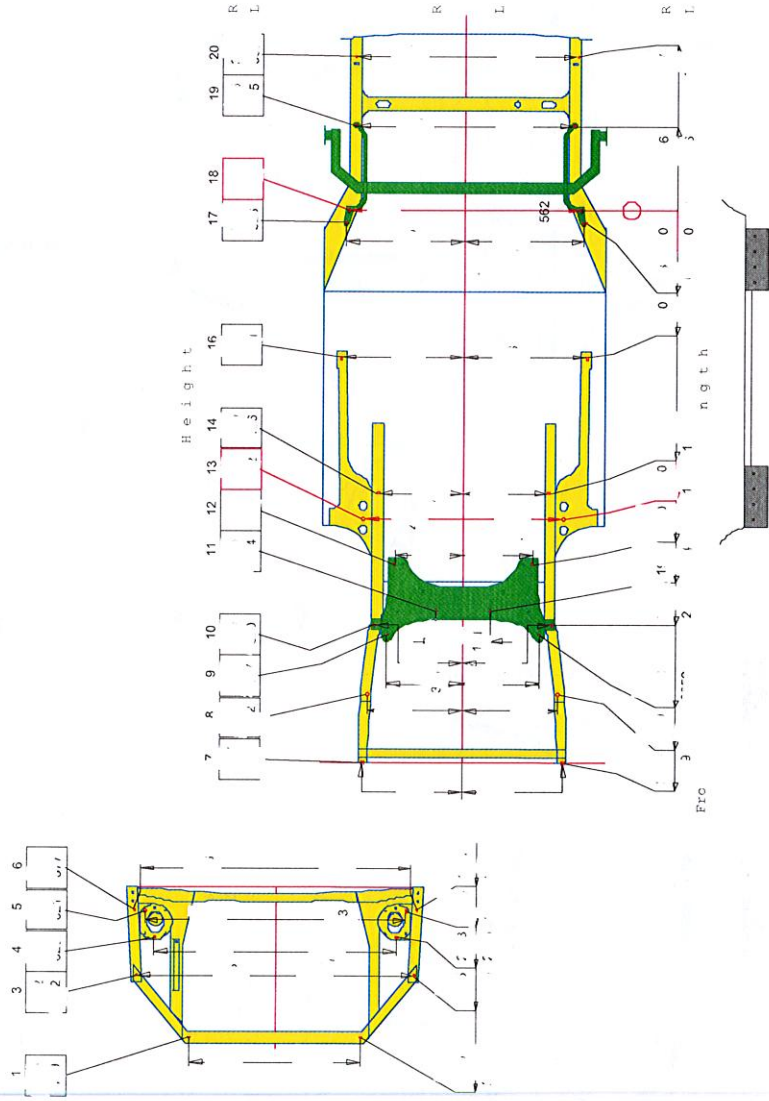




SPECIFICATION REPORT

Date: 18 de September de 2018 Time: 10:58

Customer.....
 Vehicle..... 2000-PEUGEOT-206-5DR W/PS
 VIN:
 Work Order # : :
 Technician.....
 Odometer 0

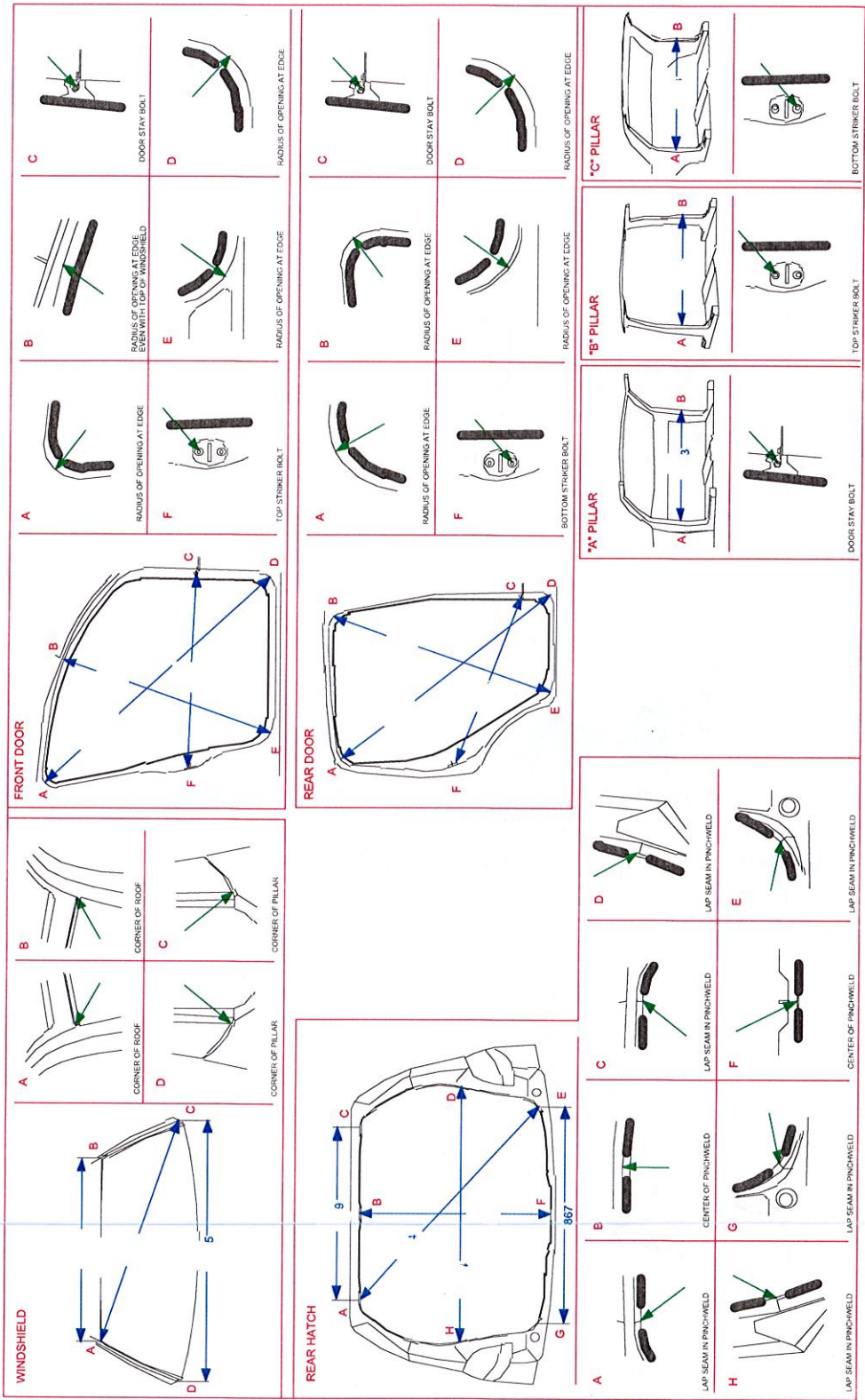


Copyright © 1994-2014 Vehicle Inspection Group
 This document is the property of Vehicle Inspection Group. It is to be used only for the vehicle it was created for. No part of this document may be reproduced without the written permission of Vehicle Inspection Group.

Project 206



Date: 18 de September de 2018 Time: 10:58



Copyright © 1996-2018 Vehicle Service Group.
 All rights reserved. This document contains confidential information. It is intended for internal use only. The information contained herein is for internal use only and is not to be distributed outside of the organization.