

**Start Engine
AUSE**

TEACHER: Aitor Kortabarria
ir013255ao@iaretxabaleta.com



AUSE
ARETXABALET
Lanbide Eskola

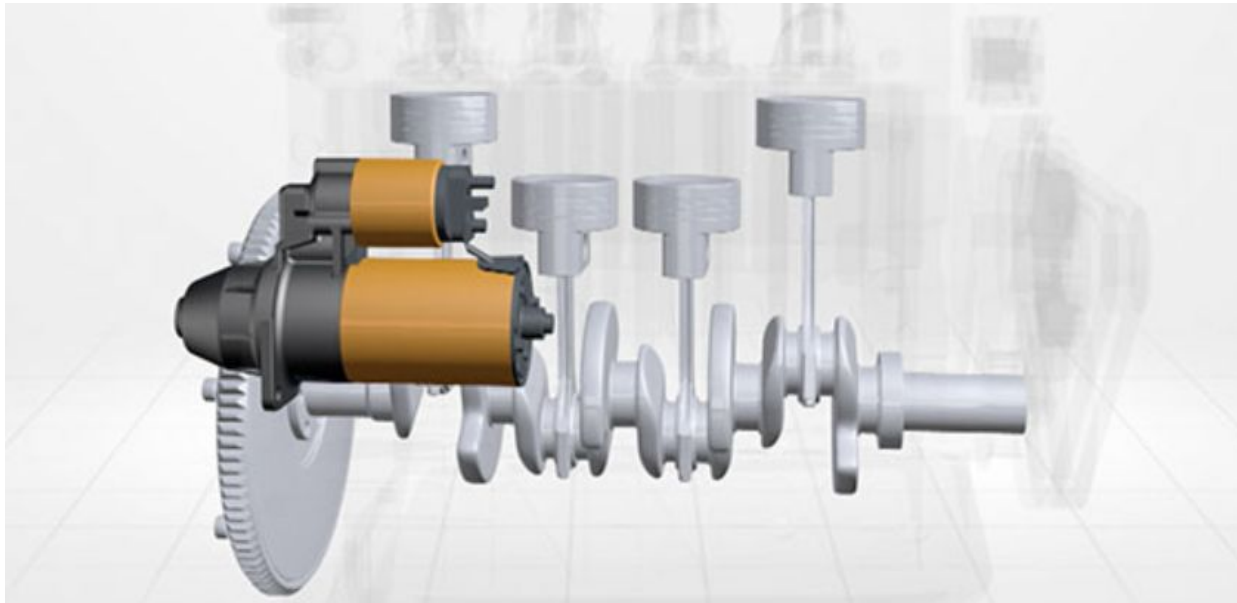
Lanbide Heziketako
Ikastetxe Integratua



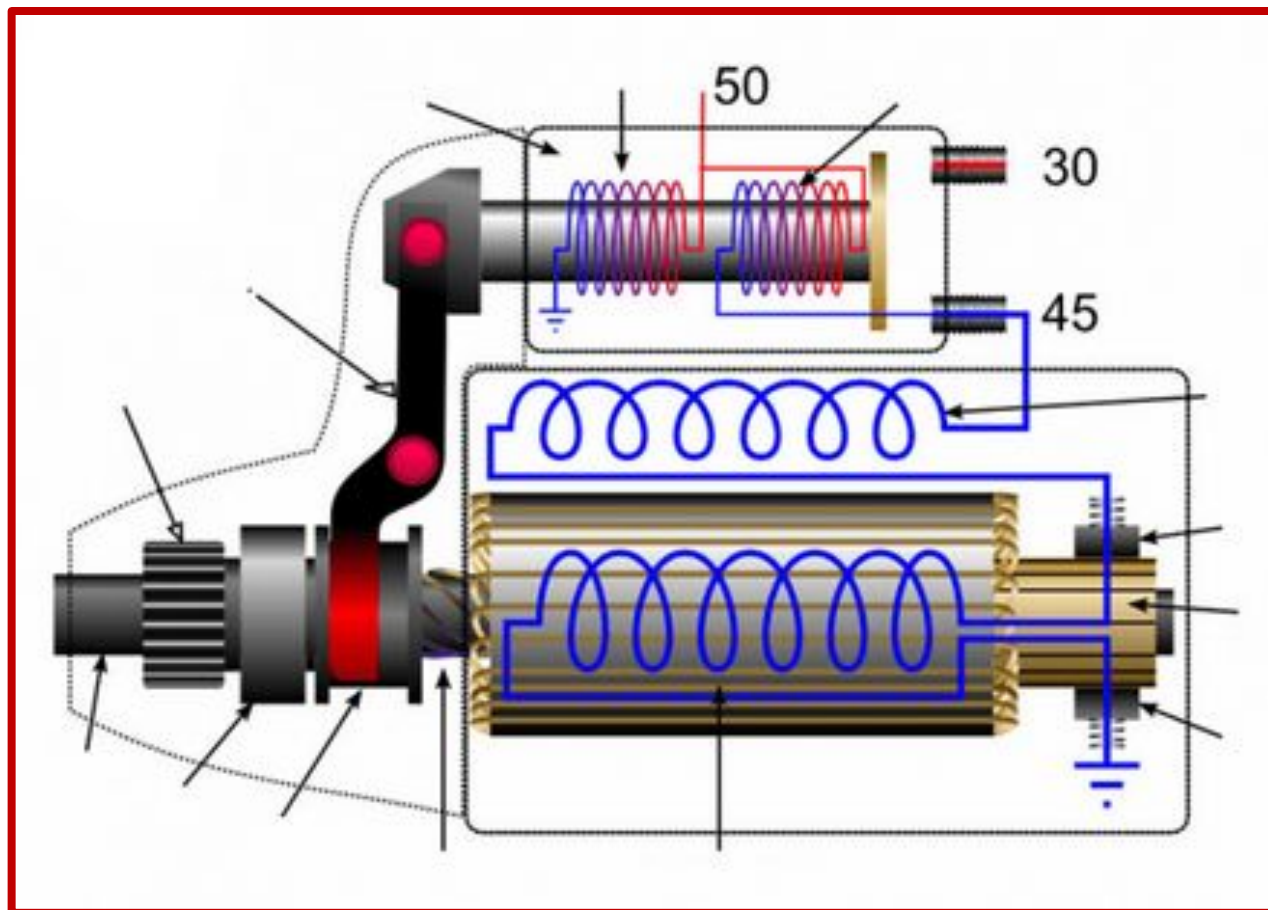
WWW.IARETXABALETA.COM

Start the engine

In combustion engines, use to start the combustion cycle. It moves the crankshaft, starting the engine's thermodynamic cycle. 300 rpm approx

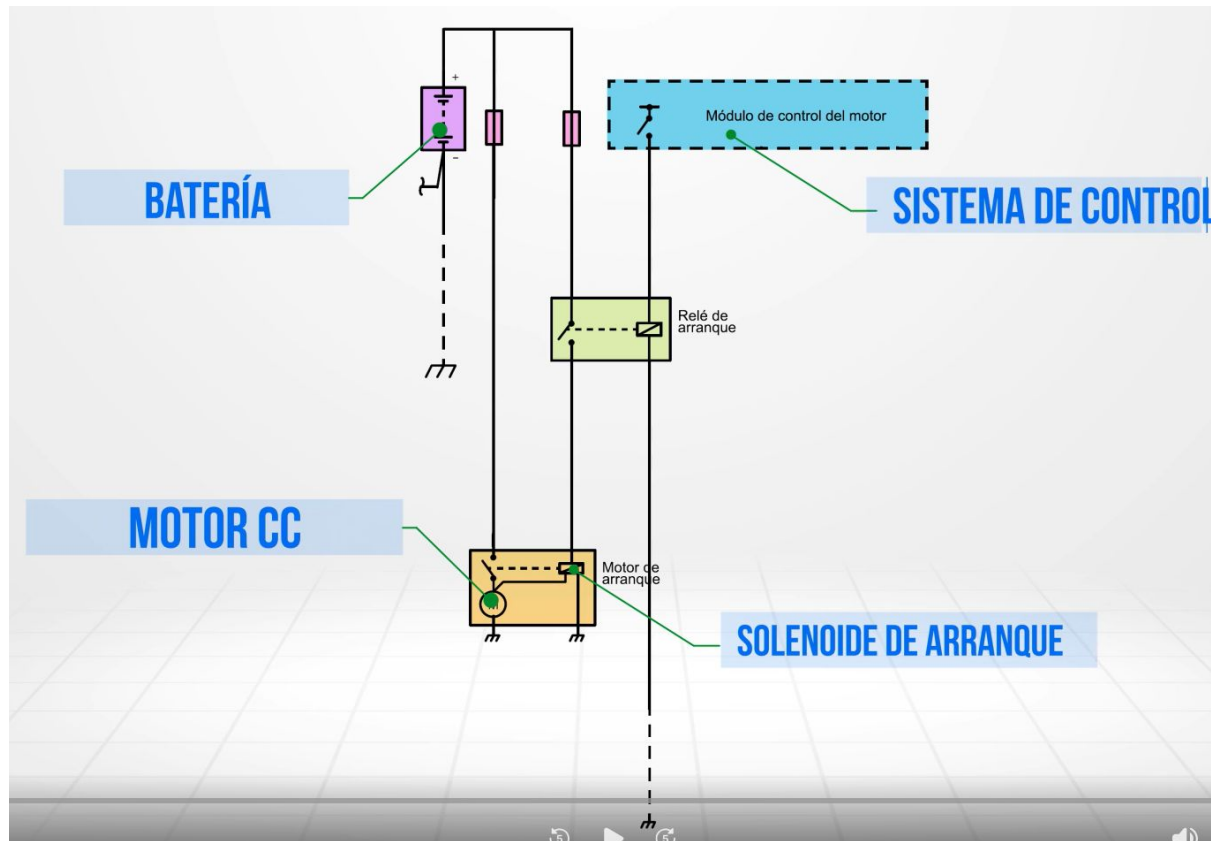


Starter motor terminals

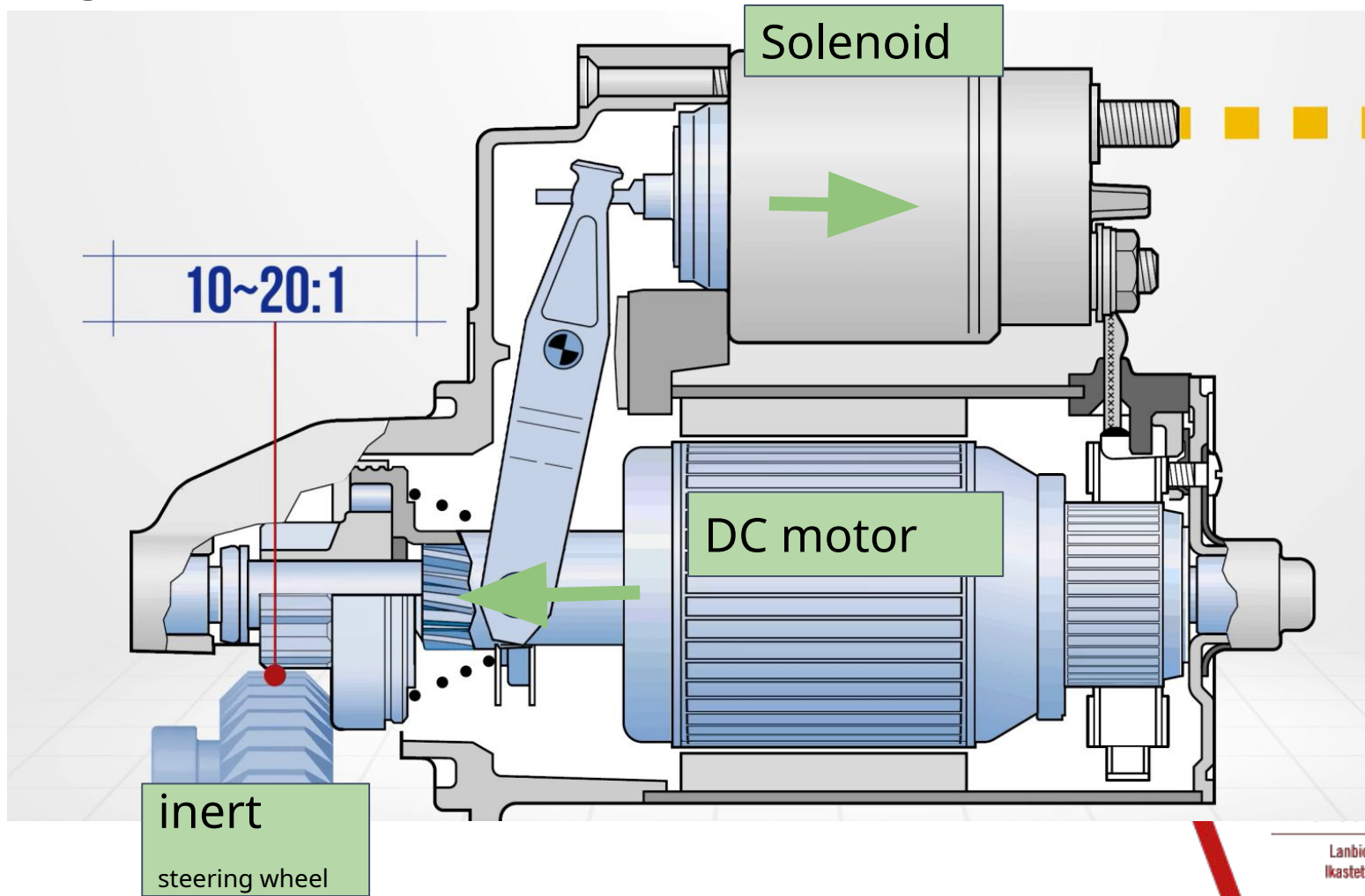


Ingredients:

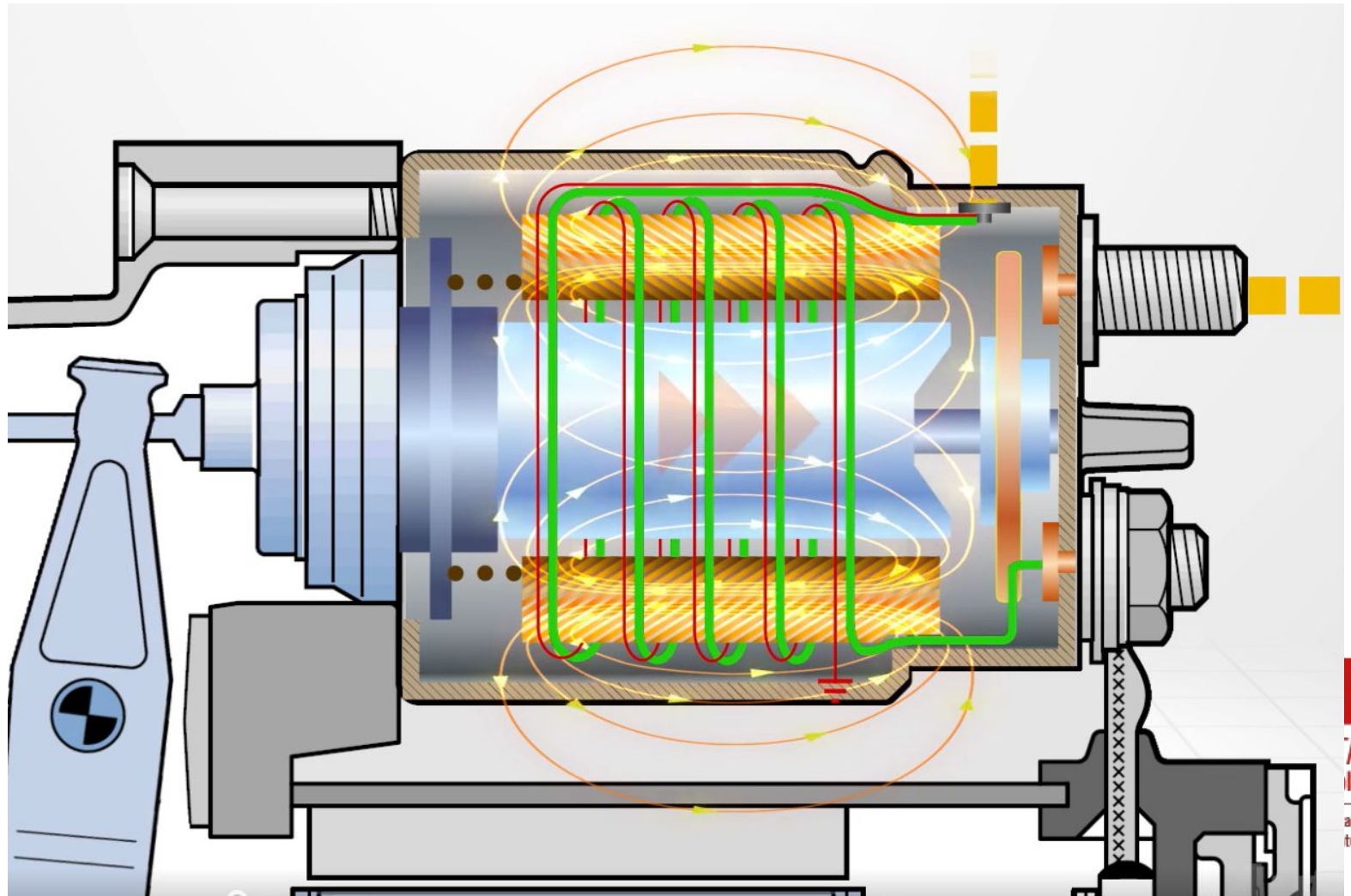
Electrical diagram



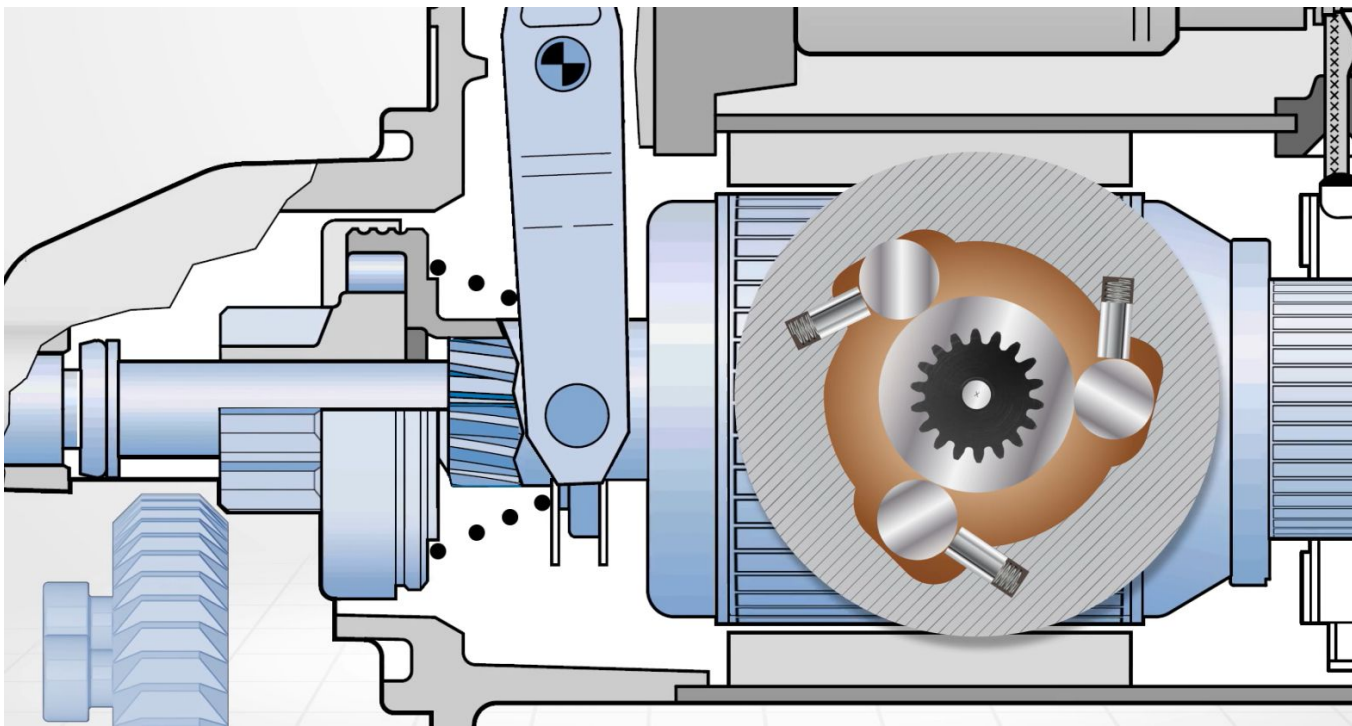
Ingredients:



Solenoid operation



Engine starter pinion



Measurements:

<https://workshop.autodata-training.com/#/online-course-player/ad480ae7-5a2d-49aa-988b-86149331d478>